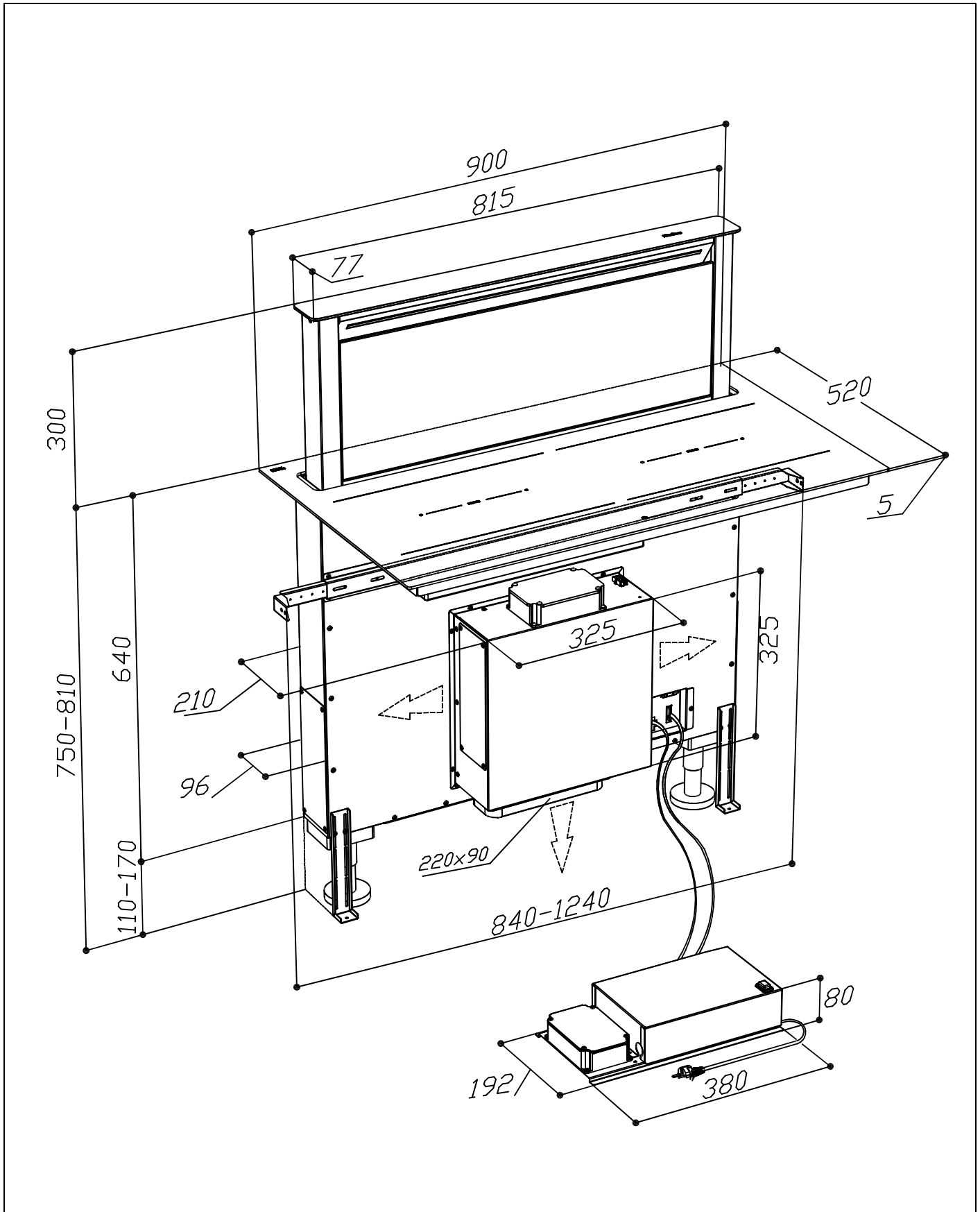


S-DDH1

Slim motor on board



Apertura Top: 860x490 (mm)
Rectangular opening: 860x490 (mm)

05/2026